

integral™ LED

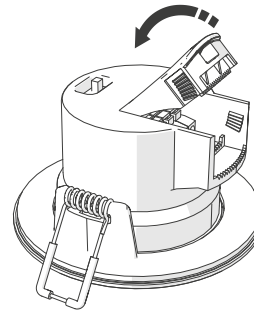
INSTALLATION INSTRUCTIONS
INSTRUCTIONS D'INSTALLATION
INSTALLATIE INSTRUCTIES
INSTRUCCIONES DE INSTALACIÓN
INSTALLATIONSANLEITUNG
INSTRUKCJE INSTALACJI
INSTRUÇÕES DE INSTALAÇÃO

Compact Eco Downlights

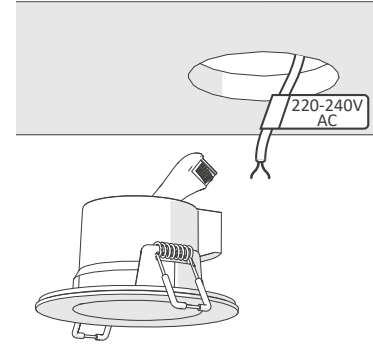


1 Connection / Lien / Verbinding / Conexión / Verbindung / Potęczenie / Conexão

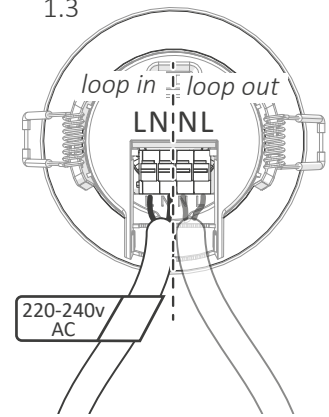
1.1



1.2

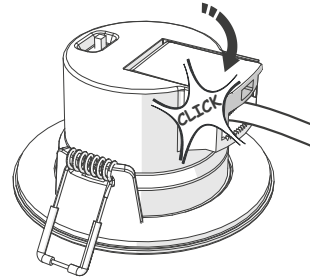


1.3

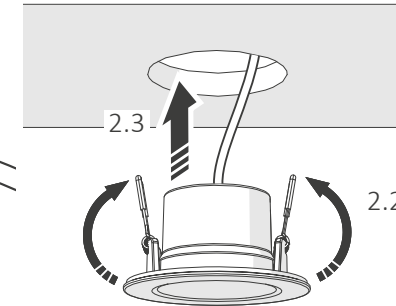


2 Installation / Installation / Installatie / Instalación / Installation / Instalação / Instalação

2.1



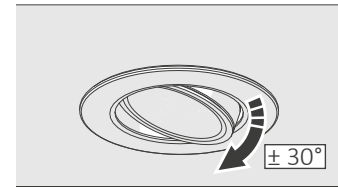
2.3



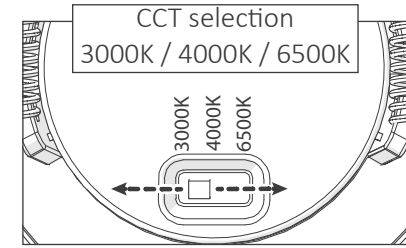
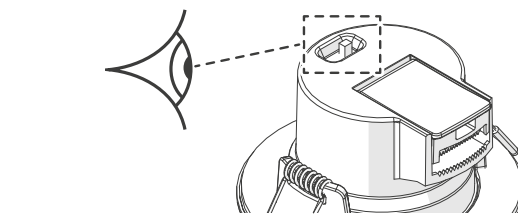
2.2



IP44



3 Additional settings - CCT / Paramètres additionnels - CCT / Aanvullende instellingen - CCT / Ajustes adicionales - CCT / Zusätzliche Einstellungen - CCT / Dodatkowe ustawienia - CCT / Configurações adicionais - CCT / Altre impostazioni - CCT



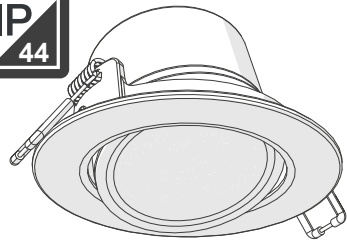
Warranty/ Technical & contact information are all available at www.integral-led.com

IS1034 A



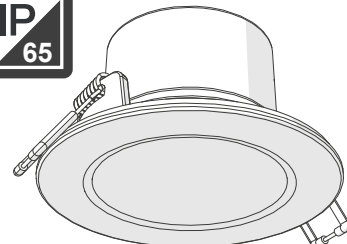
Integral LED is a division of Integral Memory plc:
Unit 6, Iron Bridge Close, Iron Bridge Business Park,
London, NW10 0UF, UK
Integral Europe BV, 2801 DG, NL

IP44



Compact Eco- IP44

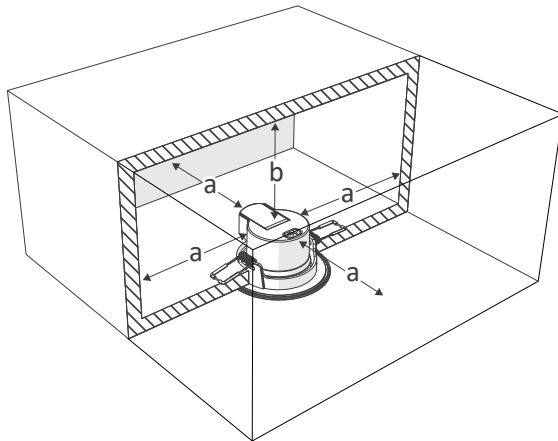
IP65



Compact Eco- IP65

i All Variants / Toutes les variantes / Alle varianten / Todas las variantes / Alle Varianten / Wszystkie warianty / Todas as variantes / Tutte le varianti

a = Min. 50mm
b = Min. 50mm



∅: 68mm

