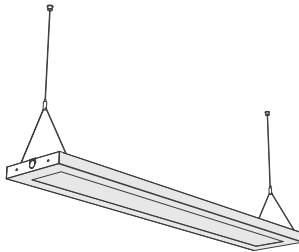
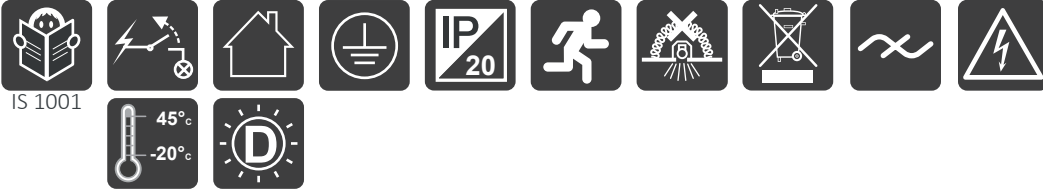


integral™ LED

INSTALLATION INSTRUCTIONS
INSTRUCTIONS D'INSTALLATION
INSTALLATIE INSTRUCTIES
INSTRUCCIONES DE INSTALACIÓN
INSTALLATIONSANLEITUNG
INSTRUKCJE INSTALACJI
INSTRUÇÕES DE INSTALAÇÃO

Linear Suspended or Surface Mounted Office Fitting



Connection / Lien / Verbinding / Conexión / Verbindung / Połączenie / Conexão / Connessione

Fig. 1

EMERGENCY

N	⊕	L1
Neutral	Earth	(unswitched) Live

STANDARD

N	⊕	L
Neutral	Earth	Live

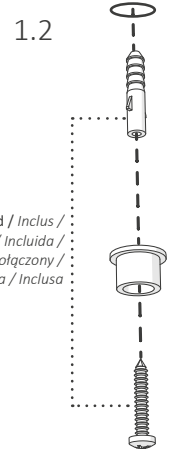
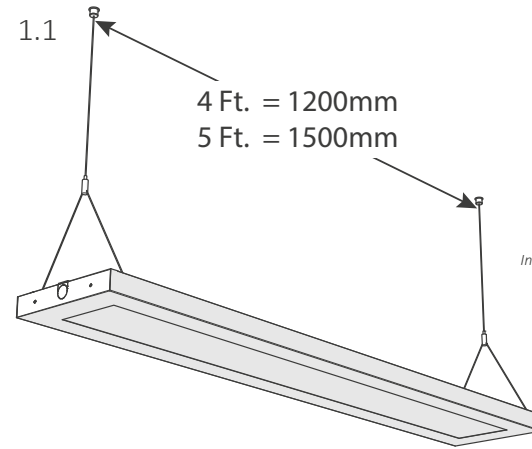
PUSH DIM

P	V+	V-
Push Switch	Live	Neutral

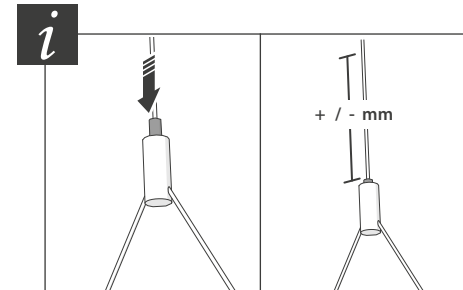
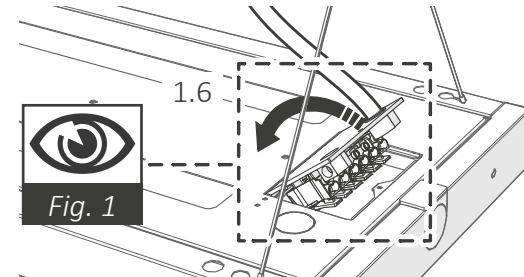
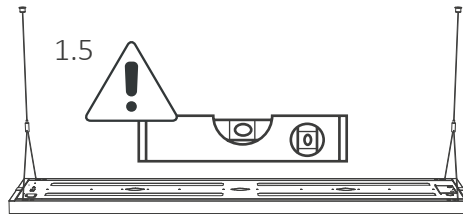
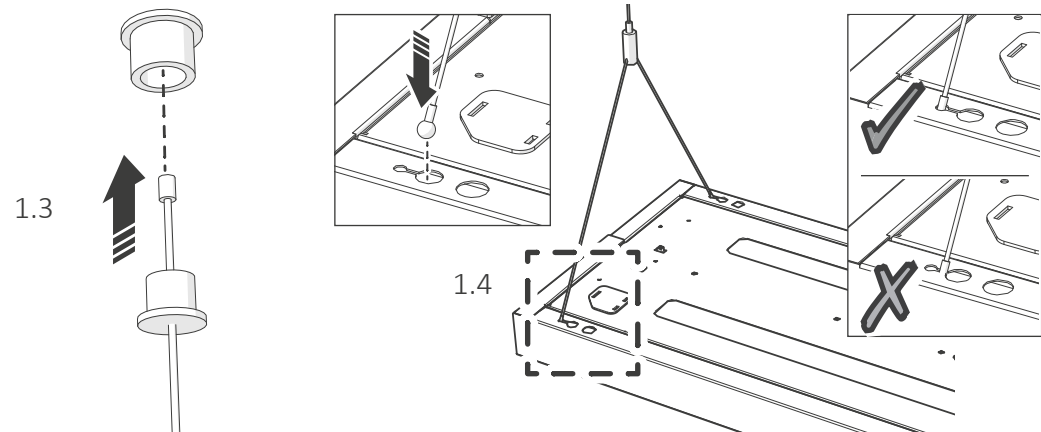
DALI

D1	D2
DALI 1 (+)	DALI 2 (-)

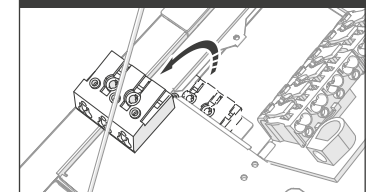
1 Suspended Installation / Installation suspendue / Opgeschorte installatie / Instalación suspendida / Unterbrochene Installation / Instalacja zawieszona / Instalação suspensa / Installazione sospesa



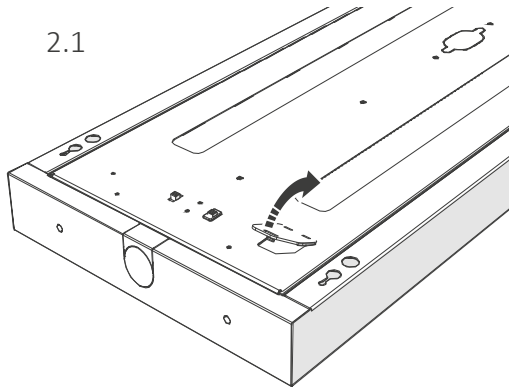
Included / Inclus / Inbegrepen / Includa / Inbegriffen / Dołączony / Incluída / Inclusa



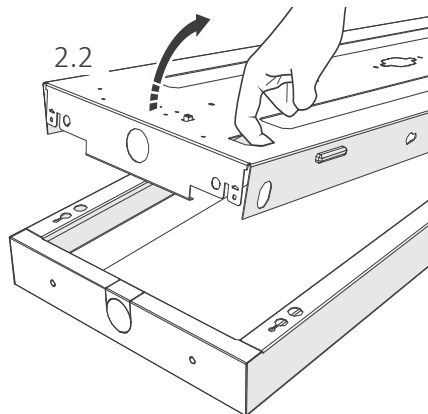
PUSH DIM - Access / Accéder / Toegang / Acceso / Zugang / Dostęp / Accesso / Accesso



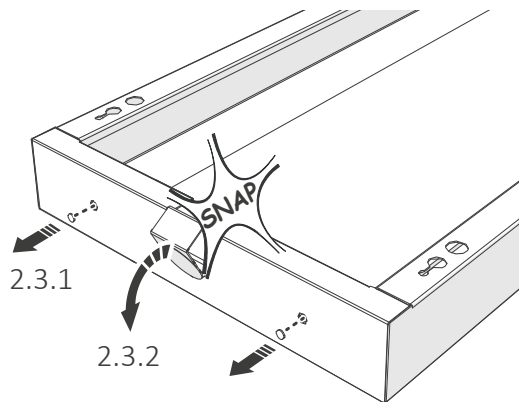
2.1



2.2



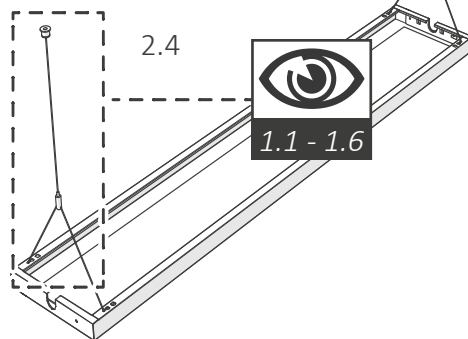
2.3.1



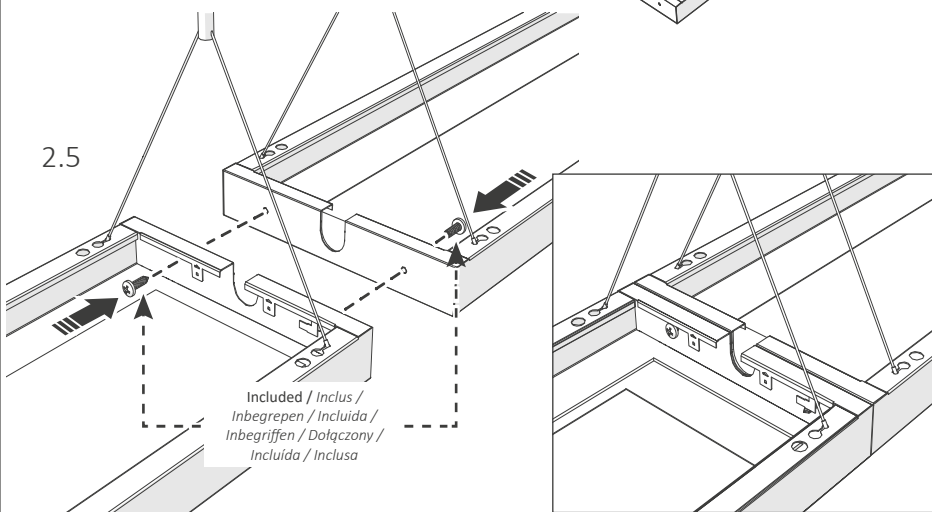
2.3.2



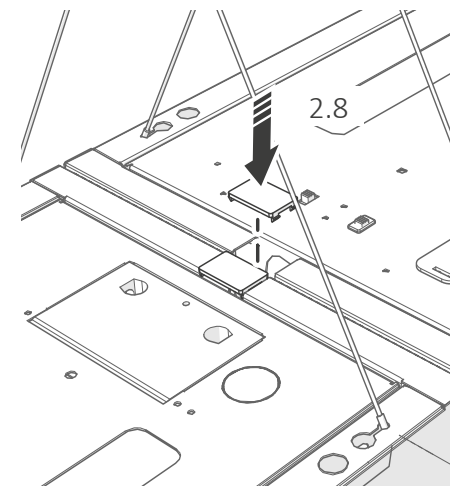
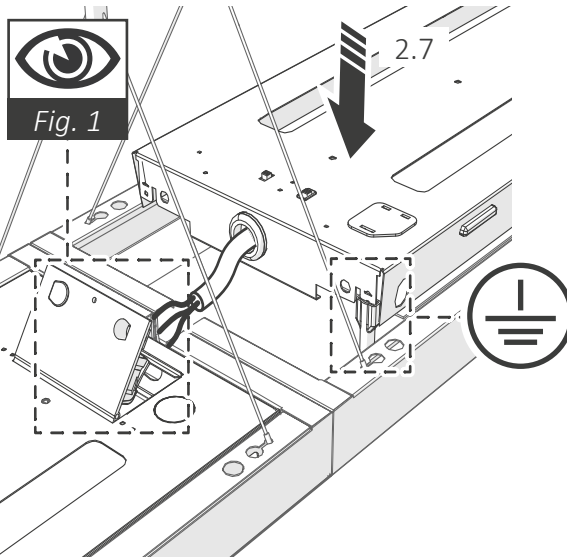
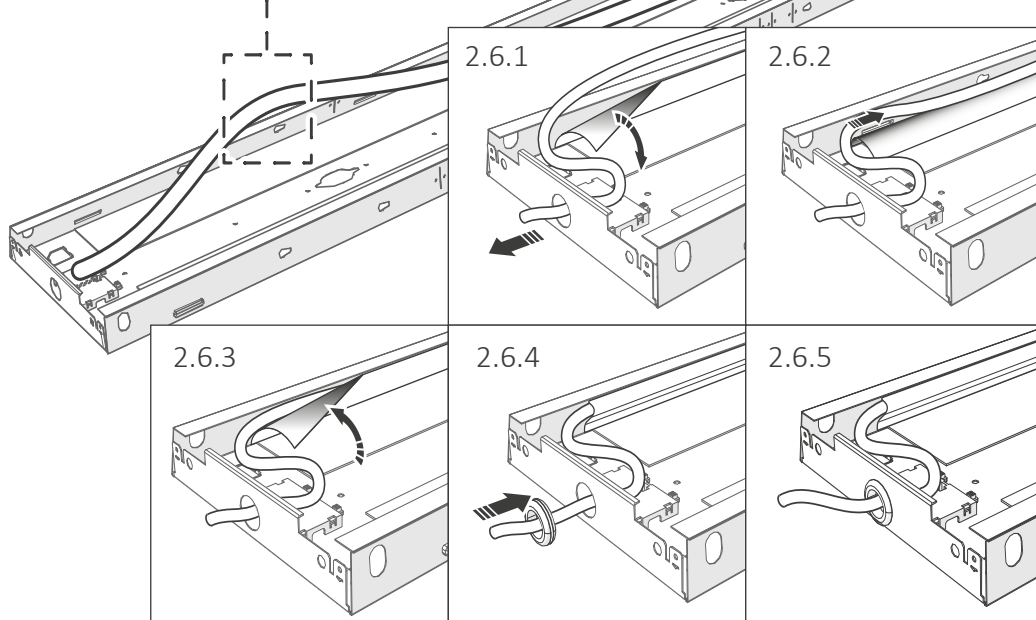
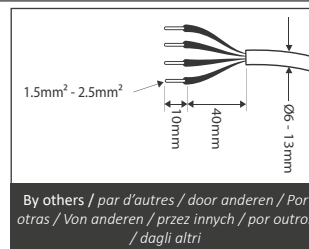
2.4



2.5



2.6



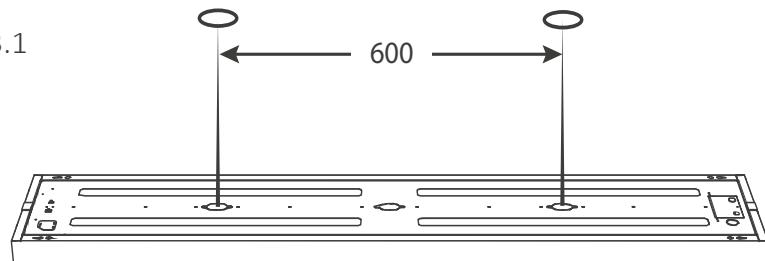
3

Surface Installation / *Installation au plafond / Plafond installatie / Instalación de techo / Deckeninstallation / Instalacja sufitowa / Instalação de teto / Installazione a soffitto*

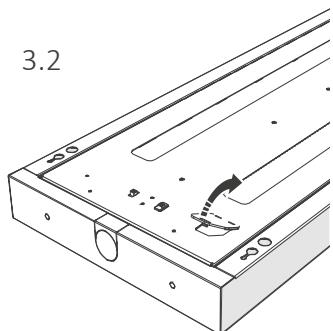


Ø4.5 x 30mm

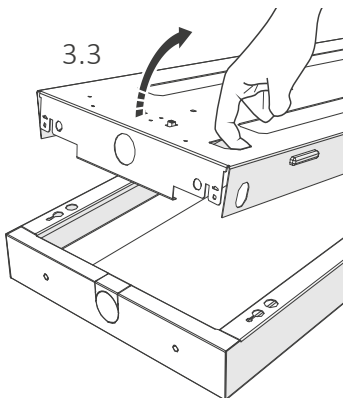
3.1



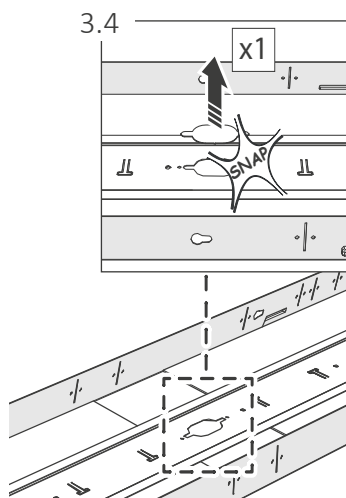
3.2



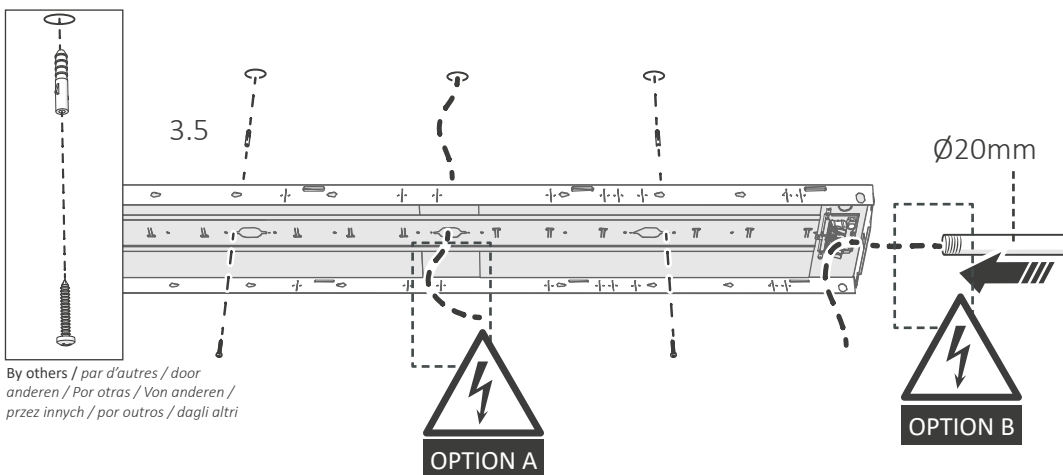
3.3



3.4

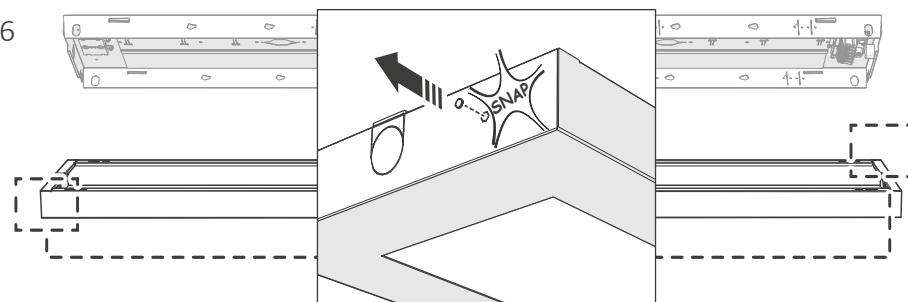


3.5

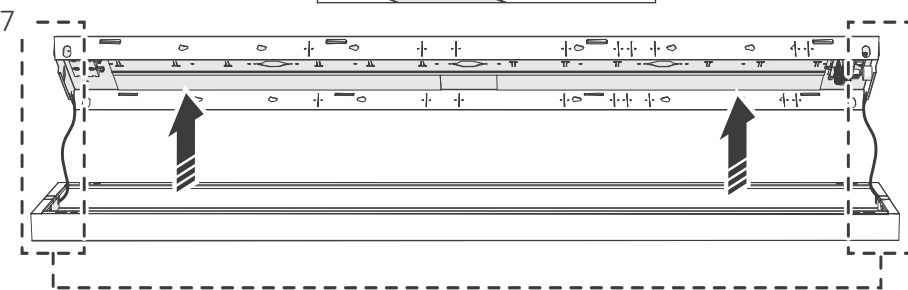


By others / par d'autres / door anderen / Por otras / Von anderen / przez innych / por outros / dagli altri

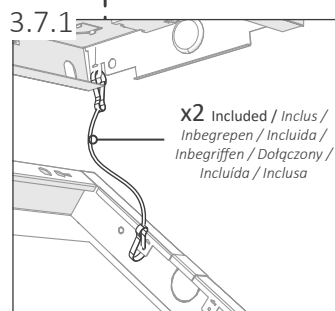
3.6



3.7

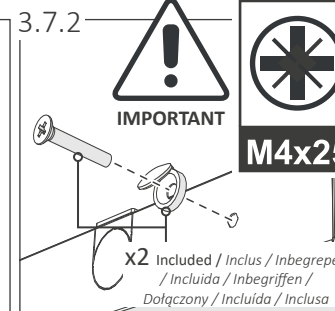


3.7.1

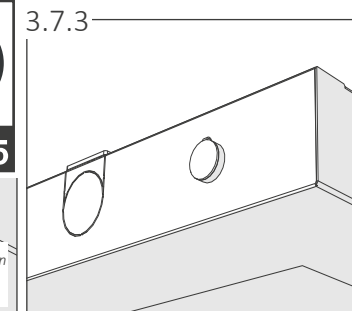


x2 Included / Inclus / Inbegrepen / Includida / Inbegripen / Dotłączony / Includida / Inclusa

3.7.2



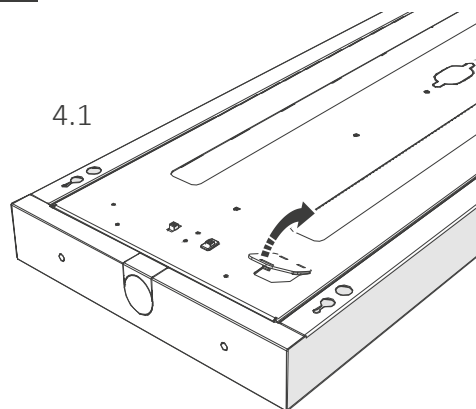
3.7.3



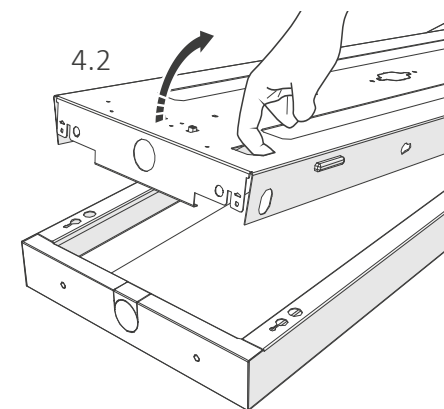
4

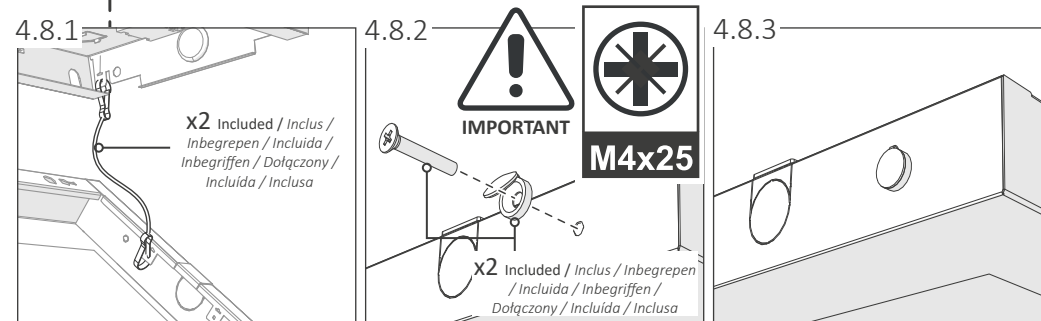
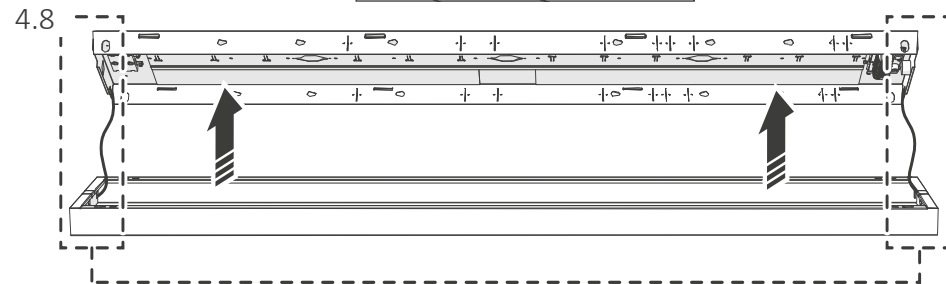
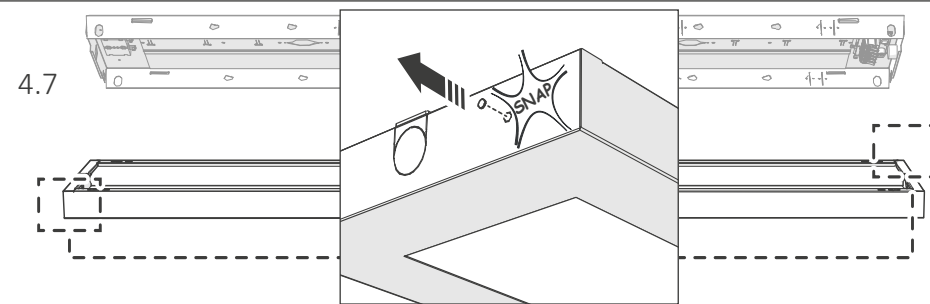
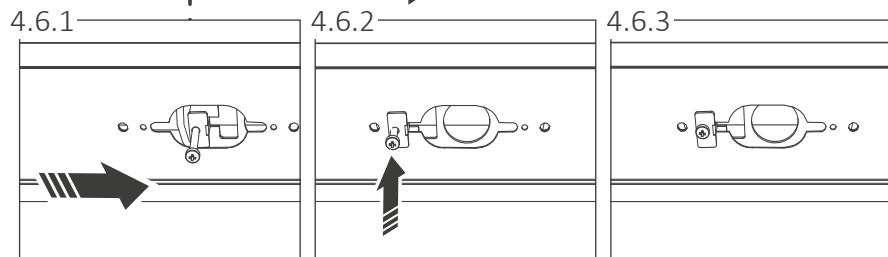
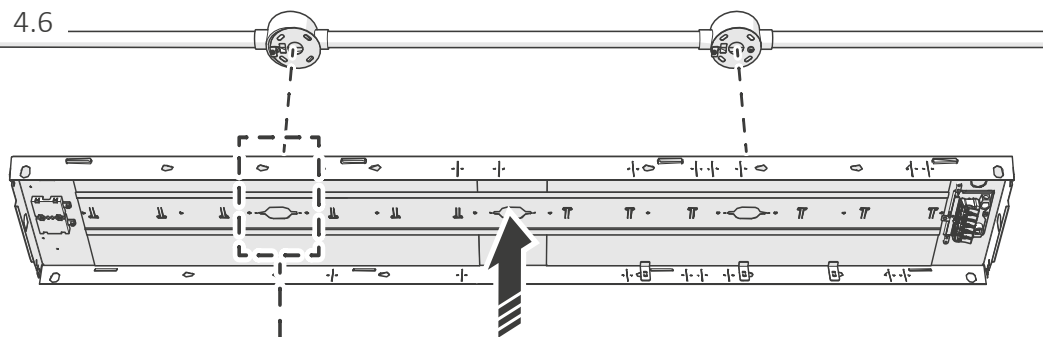
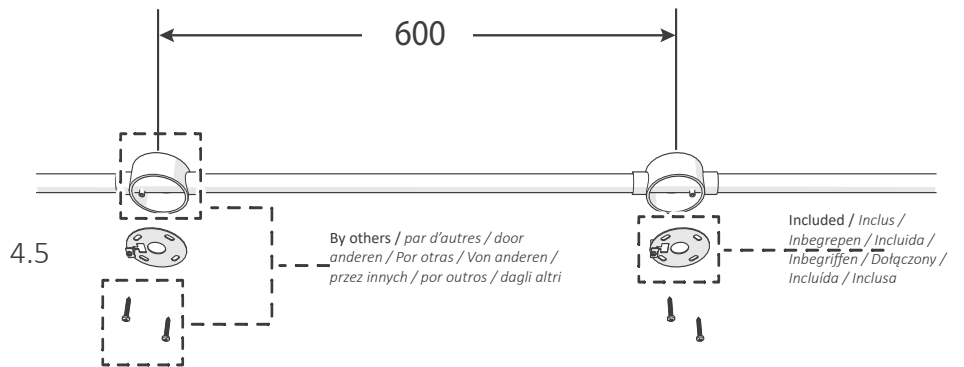
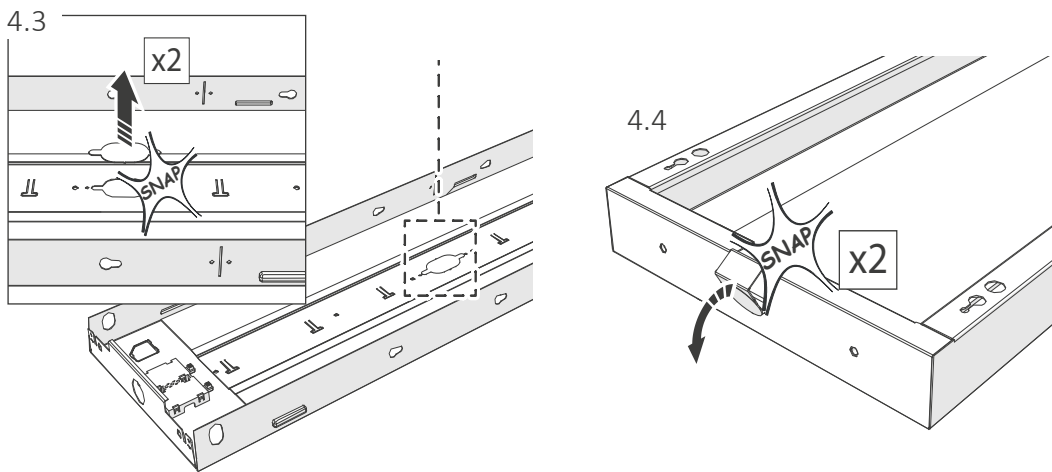
BESA Installation / *BESA Installation / BESA Installatie / BESA Instalación / BESA Instalacja/ BESA Instalação / BESA Installazione*

4.1

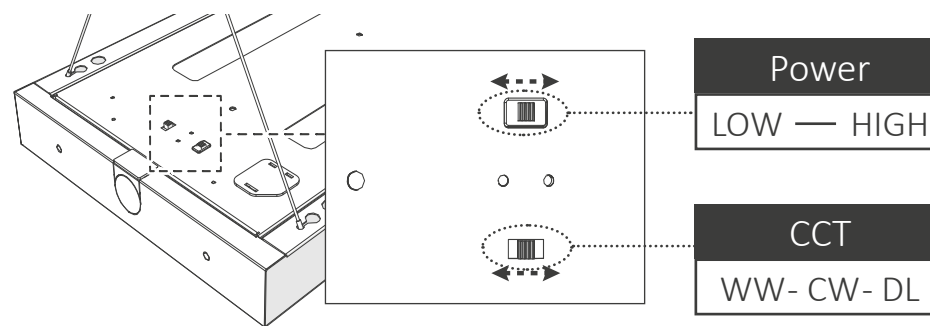


4.2





5 Additional Settings / Paramètres additionnels / Aanvullende instellingen / Ajustes adicionales / Zusätzliche Einstellungen / Dodatkowe ustawienia / Configurações adicionais / Altre impostazioni



Warranty/ Technical & contact information are all available at www.integral-led.com

IS1026 D



All Trademarks Acknowledged

Integral LED is a division of Integral Memory plc:
Unit 6, Iron Bridge Close, Iron Bridge Business Park,
London, NW10 0UF, UK
Integral Europe BV, 2801 DG, NL