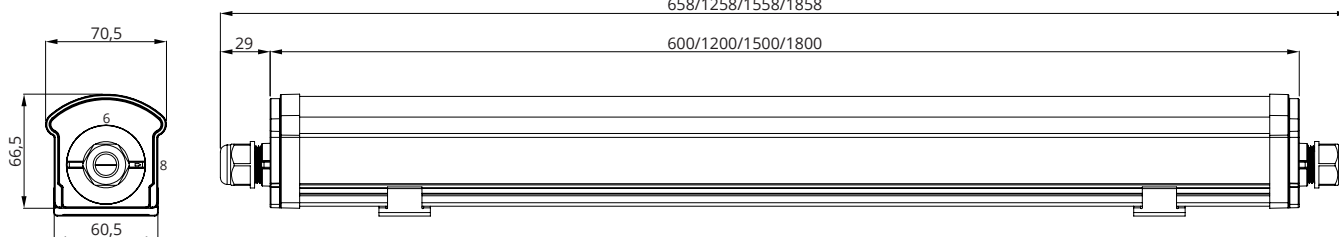


## INSTALLATION INSTRUCTION

### Integral LED Toughshell+ IP66 batten

#### 5 Year Warranty



Product code	Description
ILBTX001	4FT 20W 3000LM 4000K 120° 150lm/W Non-Dimmable
ILBTX002	5FT 30W 4500LM 4000K 120° 150lm/W Non-Dimmable
ILBTX003	6FT 35W 5250LM 4000K 120° 150lm/W Non-Dimmable
ILBTX004	4FT EM3HR 20W 3000LM 4000K 120° 150lm/W Non-Dimmable
ILBTX005	5FT EM3HR 30W 4500LM 4000K 120° 150lm/W Non-Dimmable
ILBTX006	6FT EM3HR 35W 5250LM 4000K 120° 150lm/W Non-Dimmable
ILBTX007	4FT MW 20W 3000LM 4000K 120° 150LM/W Non-Dimmable
ILBTX008	5FT MW 30W 4500LM 4000K 120° 150LM/W Non-Dimmable
ILBTX009	6FT MW 35W 5250LM 4000K 120° 150LM/W Non-Dimmable
ILBTX021	4FT 38W 5700LM 4000K 120° 150LM/W Non-Dimmable
ILBTX022	5FT 53W 7950LM 4000K 120° 150LM/W Non-Dimmable
ILBTX023	6FT 60W 9000LM 4000K 120° 150LM/W Non-Dimmable
ILBTX024	4FT EM3HR 38W 5700LM 4000K 120° 150LM/W Non-Dimmable
ILBTX025	5FT EM3HR 53W 7950LM 4000K 120° 150LM/W Non-Dimmable
ILBTX026	6FT EM3HR 60W 9000LM 4000K 120° 150LM/W Non-Dimmable
ILBTX027	4FT MW 38W 5700LM 4000K 120° 150LM/W Non-Dimmable
ILBTX028	5FT MW 53W 7950LM 4000K 120° 150LM/W Non-Dimmable
ILBTX029	6FT MW 60W 9000LM 4000K 120° 150LM/W Non-Dimmable
ILBTX041	4FT 20W 3000LM 3000K to 5700K 120° 150LM/W Non-Dimmable
ILBTX042	5FT 30W 4500LM 3000K to 5700K 120° 150LM/W Non-Dimmable
ILBTX043	6FT 35W 5250LM 3000K to 5700K 120° 150LM/W Non-Dimmable
ILBTX061	4FT 38W 5700LM 3000K to 5700K 120° 150LM/W Non-Dimmable
ILBTX062	5FT 53W 7950LM 3000K to 5700K 120° 150LM/W Non-Dimmable
ILBTX063	6FT 60W 9000LM 3000K to 5700K 120° 150LM/W Non-Dimmable
ILBTX081	4FT 26W/32W/38W - 3900LM/4800LM/5700LM 4000K 120° 150LM/W Non-Dimmable
ILBTX082	5FT 43W/49W/53W - 6450LM/7350LM/7950LM 4000K 120° 150LM/W Non-Dimmable
ILBTX083	6FT 48W/54W/60W - 7200LM/8100LM/9000LM 4000K 120° 150LM/W Non-Dimmable

**Thank you for purchasing an INTEGRAL LED product. When installed correctly this unit will provide years of service – with no lamp changes required. For support or warranty information please see [integral-led.com](http://integral-led.com). Always turn off circuit power at the distribution unit before installation and maintenance. Please ensure that the power cannot be connected inadvertently.**

#### Important Details – Please read prior to installation

**Ensure the AC/Mains power is NOT connected and cannot be unexpectedly reconnected during installation.**

- This product must be installed by a qualified electrician in accordance with instructions provided and in compliance with recognised electrical and safety regulations relevant to the country it is being installed.
- This product is suitable for installation on surfaces with normal flammability e.g. wood, masonry. It is not suitable for use on highly flammable surfaces or in flammable atmosphere.
- This product must be securely fixed to the mounting surface using the fixings clips, screws and wall plugs supplied. The screws and wall plugs are suitable for “masonry” only. Other fixings are not supplied and must be purchased.
- Please use the cable gland supplied in the box if the LED batten is required to be linked.
- Connect the power lead to a suitable junction box to maintained IP rating.
- Recommended cable H05RN-F 3x1.00mm².
- Please use the protective cover on any unused connector.
- Maximum no of units in series is 10 using recommended cable.
- This product is not suitable for dimming.

**IMPORTANT! This product is a Class II device. However an earth connection is required.**

#### Warranty

This unit carries a 5 year warranty from the date of purchase, providing that it has been installed correctly and not modified in any way. Should a fault occur please contact the original place of purchase.

#### Important Notes

Operating and storage of luminaire must be within rated temperature and humidity guidelines. Operation must be within rated input voltage.

- Keep away from strong electromagnetic radiation sources and protect from lightning strike.
- Should the unit malfunction, return to distributor or reseller. No user serviceable parts inside. Risk of electric shock, do not disassemble or

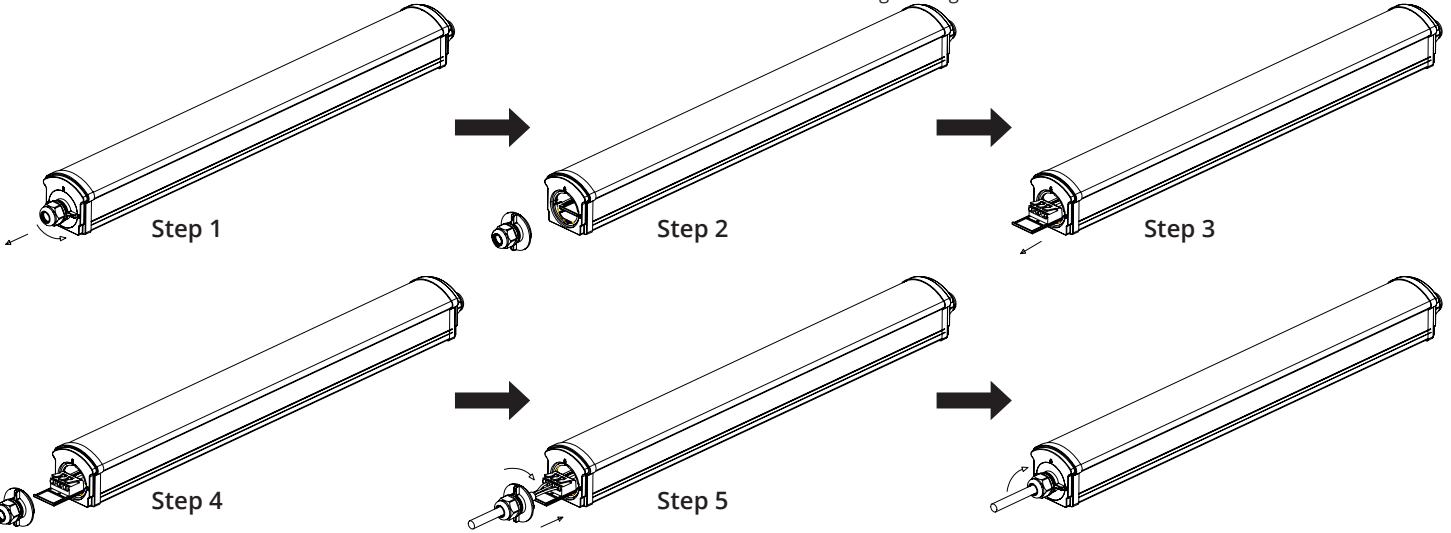
attempt to repair the luminaire.

- Do not install or use the luminaire if the casing is found to be broken.
- The luminaire must be installed by a qualified electrician.
- The luminaire should be positioned away from heat and vibration. Avoid contact with any corrosive chemicals.
- The luminaire should be mounted in free air it is recommended not to exceed 30° C ambient.
- Never cover the luminaire with heat insulation materials.
- The luminaire should be positioned at least 1 metre away from radios, failure to do so may affect radio reception.

### Connection-Electrical installation

- Step 1: Rotate and remove round cap on the side.  
 Step 2: Pull out connector/terminal.  
 Step 3: Power cord go through the round cap, inserted into corresponding terminal holes.

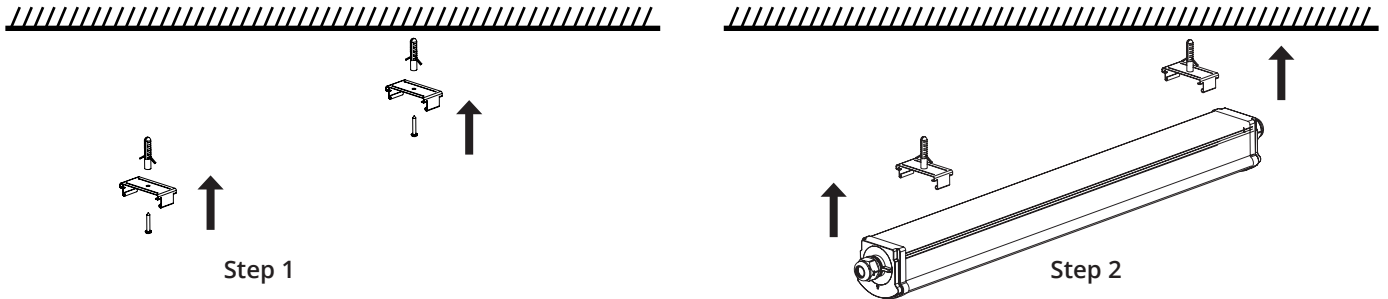
- Step 4: Push the terminal/connector back into fixture, put on the the round cap and rotate it to lock position.  
 Step 5: Wire the other side by repeat procedure 1-4, to reach connection through wiring.



### Ceiling type

- Step 1: Make a right position and screw hole on the ceiling, screw the clip on the ceiling tightly.

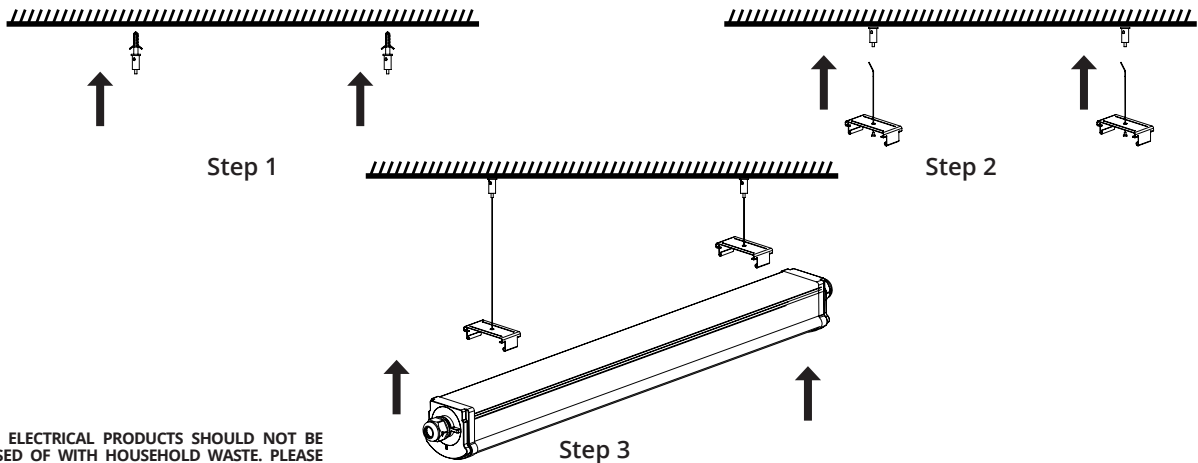
- Step 2: Snap the lamp into clips. The installation is finished.



### Suspending type

- Step 1: Make a right position and screw hole on the ceiling, then install the expansion.  
 Step 2: Steel wire rope go through the clips, and insert into expansion.

- Step 3: Snap the lamp into clips, and adjust the length of wire rope according to need. The installation is finished.



 WASTE ELECTRICAL PRODUCTS SHOULD NOT BE DISPOSED OF WITH HOUSEHOLD WASTE. PLEASE RECYCLE WHERE FACILITIES EXIST. CHECK WITH YOUR LOCAL AUTHORITY FOR RECYCLING ADVICE.

\* Requires suspension kit ILBASK091 supplied separately

Warranty/Technical and contact information are all available at [www.integral-led.com](http://www.integral-led.com)



Integral LED is a division of Integral Memory plc:  
 Unit 6, Iron Bridge Close,  
 Iron Bridge Business Park,  
 London, NW10 0UF, UK  
 Integral Europe BV, 2801 DG, NL