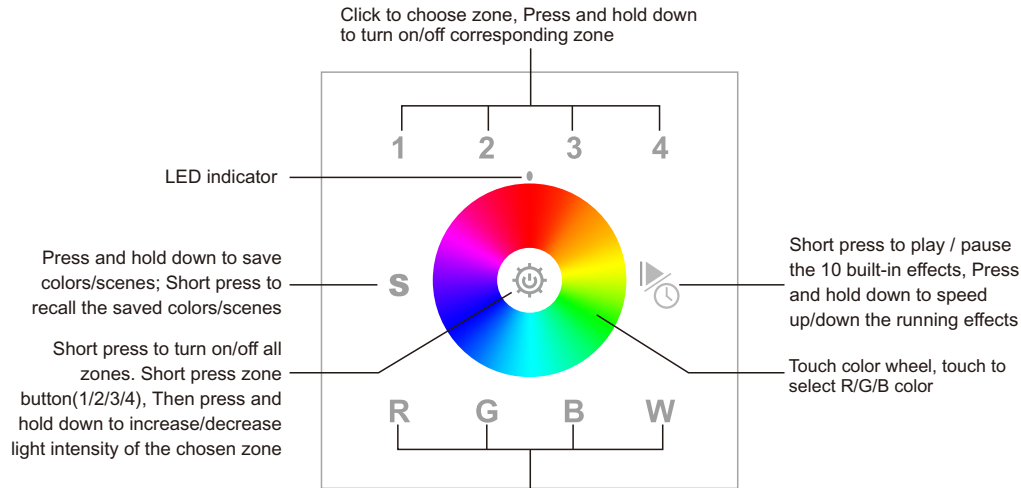


# RGBW DMX512 Controller



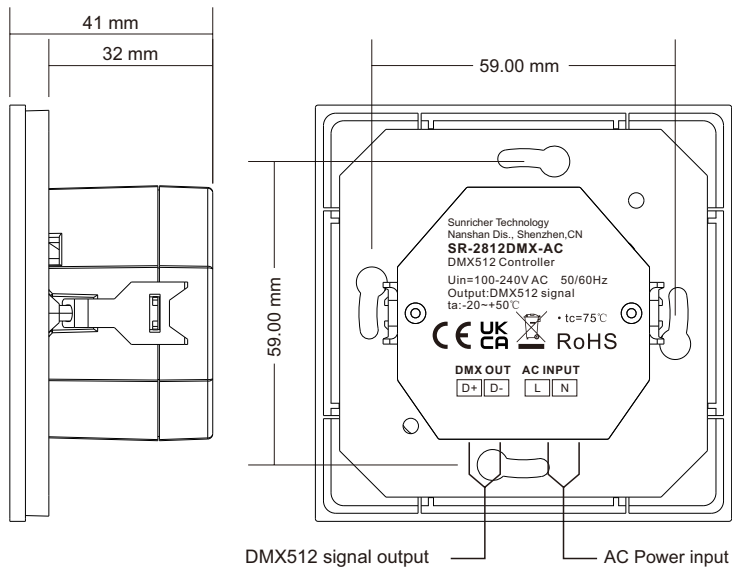
**Important:** Read All Instructions Prior to Installation

## Function introduction



**R/G/B/W 4channels:**Click to turn off/on the channel  
Press and hold down to increase/decrease light intensity of each channel

Front side



Back side

## Product Data

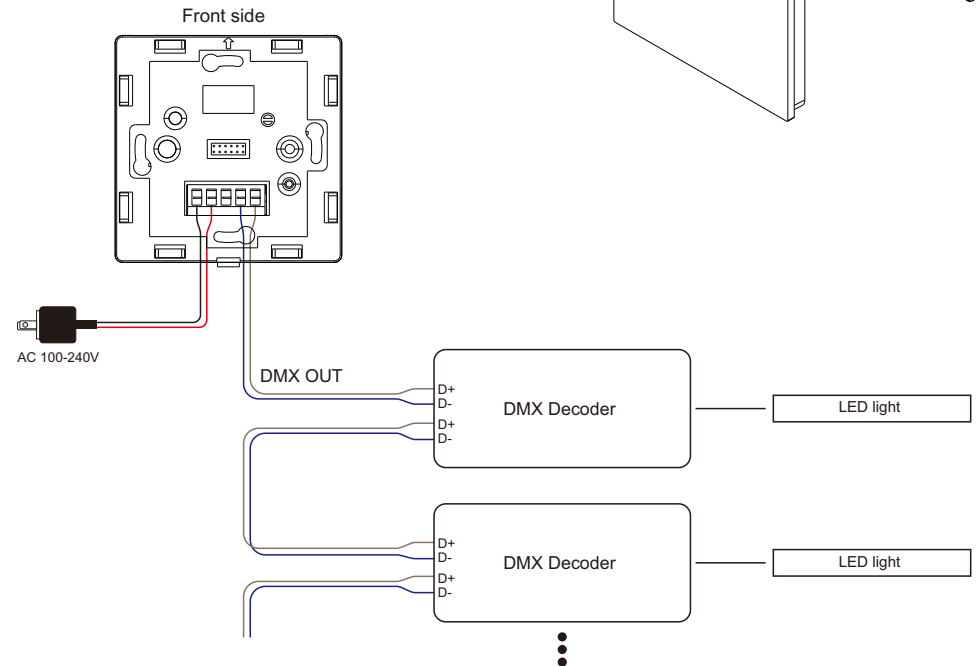
Output Signal	DMX512 signal
Power Supply	100-240VAC
Power consumption	< 15 mA
Operating temperature	0-40°C
Relative humidity	8% to 80%
Dimensions	86x86x41mm

- Touch sensitive
- Glass interface
- Standard DMX512 Signal output
- Control RGBW color
- Control 4 zones synchronously and separately
- Waterproof grade: IP20

## Safety & Warnings

- DO NOT install with power applied to device.
- DO NOT expose the device to moisture.

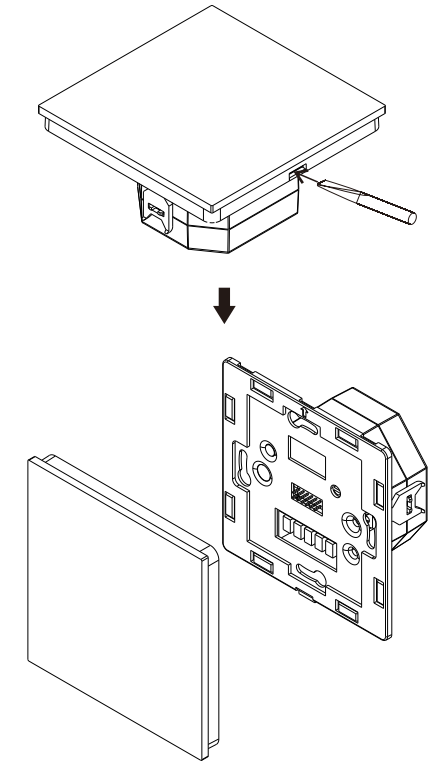
## Wiring diagram

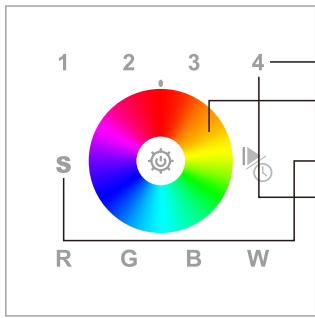


## Set DMX Address

This DMX master controller controls 4 zones of DMX decoders by setting DMX decoders' address as follows:  
DMX decoders with address 001 will be controlled by zone 1,  
DMX decoders with address 005 will be controlled by zone 2,  
DMX decoders with address 009 will be controlled by zone 3,  
DMX decoders with address 013 will be controlled by zone 4.

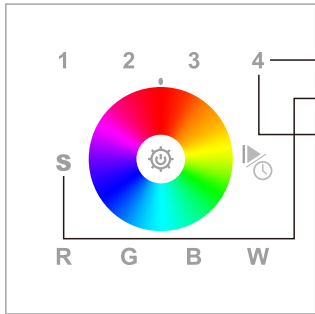
## Installation





### Save color/scene/mode

- Step 1:** Choose and short press one or multiple paired zone numbers (e.g. zone 4)
- Step 2:** Touch the color wheel or short press the colour buttons (RGB or W) to select the scene you like
- Step 3:** Press and hold down button **S** until the LED indicator flashes once
- Step 4:** Immediately short press any number of 1-4 (e.g. 4) (here the numbers mean 4 scenes can be saved for the selected zone/s), LED lights connected with the DMX decoder flicker once means the color/scene was saved successfully.



### Recall the saved colors/scenes

- Step 1:** Choose and short press one or multiple paired zone numbers (e.g. zone 4)
- Step 2:** Short press button **S**
- Step 3:** Click any numbers 1-4 (e.g. 4) (here the numbers mean the 4 scenes saved for selected zone/s) to recall the saved scene



WASTE ELECTRICAL PRODUCTS SHOULD NOT BE DISPOSED OF WITH HOUSEHOLD WASTE. PLEASE RECYCLE WHERE FACILITIES EXIST. CHECK WITH YOUR LOCAL AUTHORITY FOR RECYCLING ADVICE.

**Shenzhen Sunricher Technology Co. Ltd**  
 Add: 3F, Bldg. E, Qihang Industrial Park, 1008 Songbai Road, Nanshan Dis., Shenzhen 518108